

# Rythmik Audio

Articulate bass for the discerning audiophile

## DS15v - 3 cu ft vented enclosure

**Driver:** DS15TC Rythmik Audio 15" (Driver cutout: 14")  
**Enclosure dimensions:** 18" wide x 24" deep x 25" high  
**Enclosure material:** 3/4" MDF (Medium Density Fibreboard)

### Feet

Dimensions: 1.5" x 1.5" x 2.5"

The feet may be changed, but the height should not be reduced. Extra height is required if drivers are not recessed, so the clearance remains the same.

### Fixing and adhesives

PVA glue is sufficient as an adhesive for the enclosure. Screws or other fixings are not required for the enclosure – the adhesive will have sufficient strength.

### Driver installation

Driver should be fixed to the enclosure with cap screws and T nuts. If the rubber gasket is not used, care is required to ensure a seal is achieved. The driver does not need to be adhered to the mounting surface.

### Dimensions

Dimensions should be checked prior to cutting sheets. For example, with the side walls, one pair will be the full depth of the box, while the other pair will each be the width of the box less twice the thickness of the sheets. Due to slight differences between the nominal 3/4" thickness and the actual sheet used, the sheets may not fit. This would then require changing many other dimensions. This is why it is recommended to check all dimensions before cutting. Dimensions of bracing holes are not critical, although care is required to avoid holes that are too large which would weaken the brace.

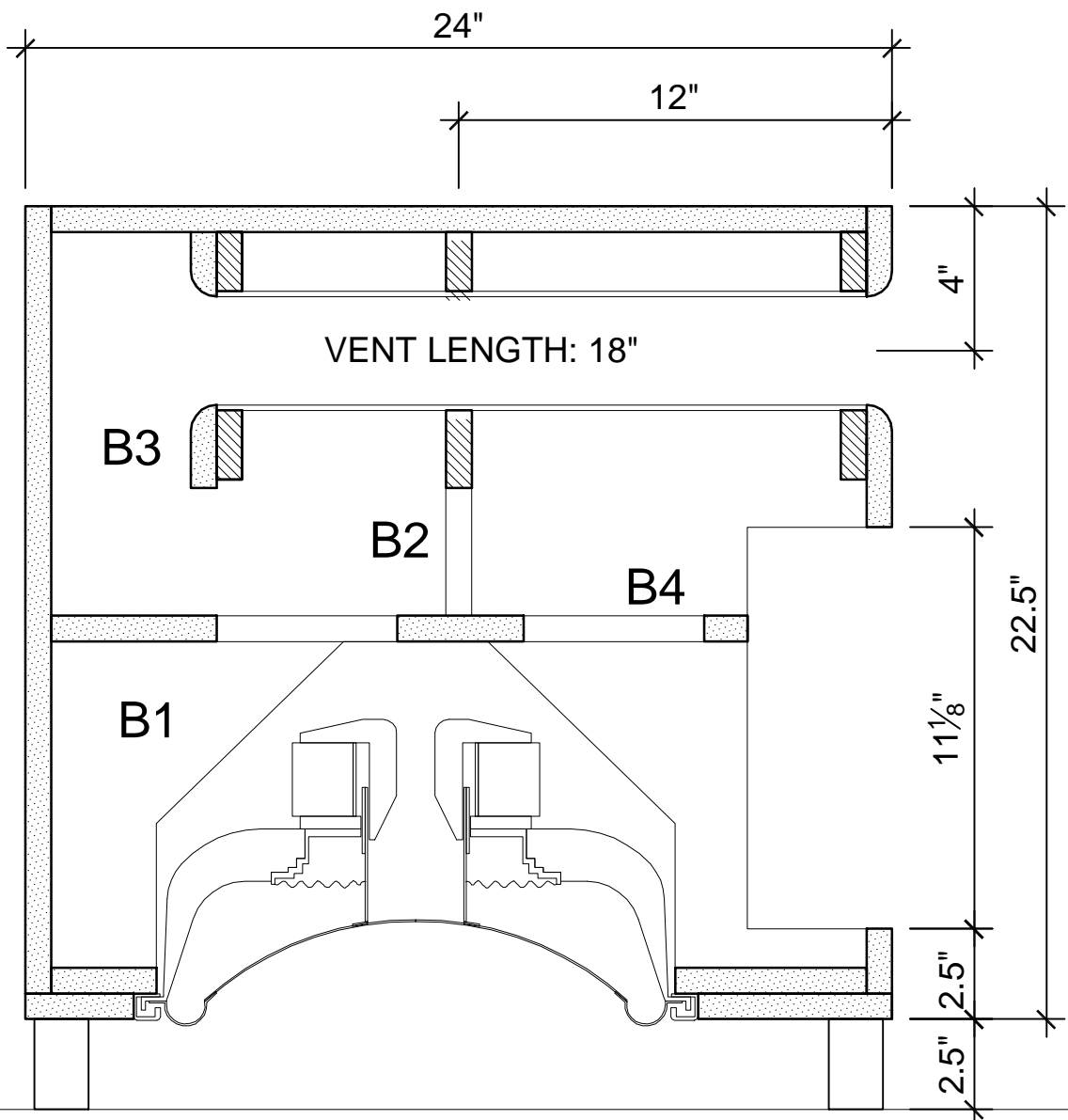
### Notes on altering the design

The enclosure is designed to perform well and be relatively simple to construct and cost effective. Constructors who wish to improve on the design may choose thicker enclosure walls, more extensive bracing, different box proportions and alternative feet. It is important that the net box volume remains the same and that an adequate clearance under the driver is observed. Plywood is a viable alternative, but if hardwood is used, it should not be used as part of a sandwich panel containing either MDF or plywood.

### "Can I use a different driver or amplifier?"

While it is possible to achieve acceptable performance with other drivers and amps, the box is designed specifically for the Rythmik Audio Direct Servo kit, which guarantees exceptional performance. If you use anything else, the performance will be compromised, even if you use a much more expensive driver and amplifier combination. The reason is that this design involves an optimal configuration where many factors have been carefully balanced. One small change can compromise the entire design.

**Need help?** For online support, visit the Rythmik Audio website: [www.rythmikaudio.com](http://www.rythmikaudio.com)



## VENT NOTES

VENT DIAMETER: 3"

LENGTH: 18"

PVC VENT TIGHTLY FITTED TO 6.5" Ø MDF FIXING PLATE (SHOWN HATCHED).

CUT  $\frac{1}{2}$ "-  $\frac{3}{4}$ " RADIUS AS VENT FLARE

FIXING PLATES NEAR VENT ENDS SERVES TO FIX ATTACH VENT RIGIDLY AT THE ENDS. FIXING PLATE ATTACHED TO BRACE 1 REDUCES THE NEED TO PLACE VENT HOLE ACCURATELY. VENT IS ATTACHED TO BRACE VIA FIXING PLATE.



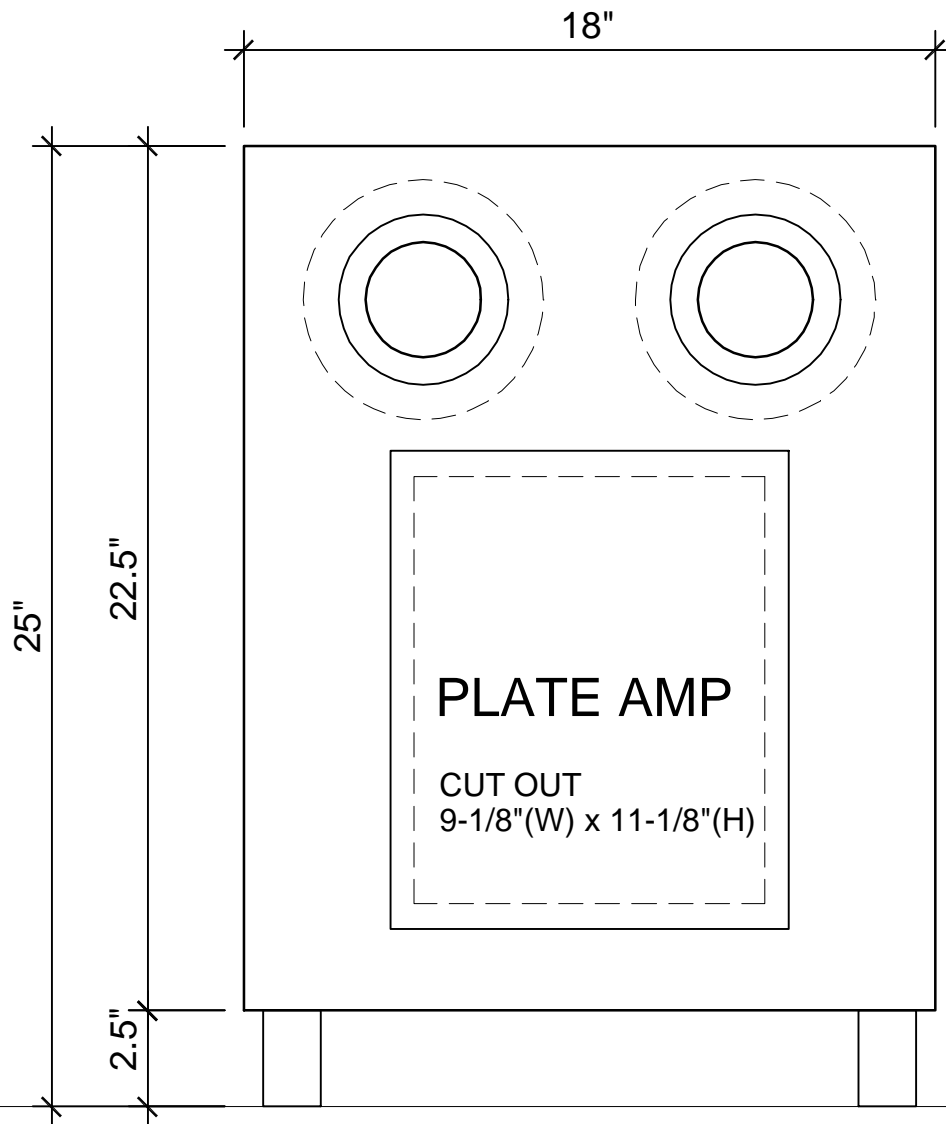
# Rythmik Audio

Articulate bass for the discerning audiophile

[www.rythmikaudio.com](http://www.rythmikaudio.com)

SECTION

SCALE: 1:5



REAR VIEW



**Rythmik Audio**

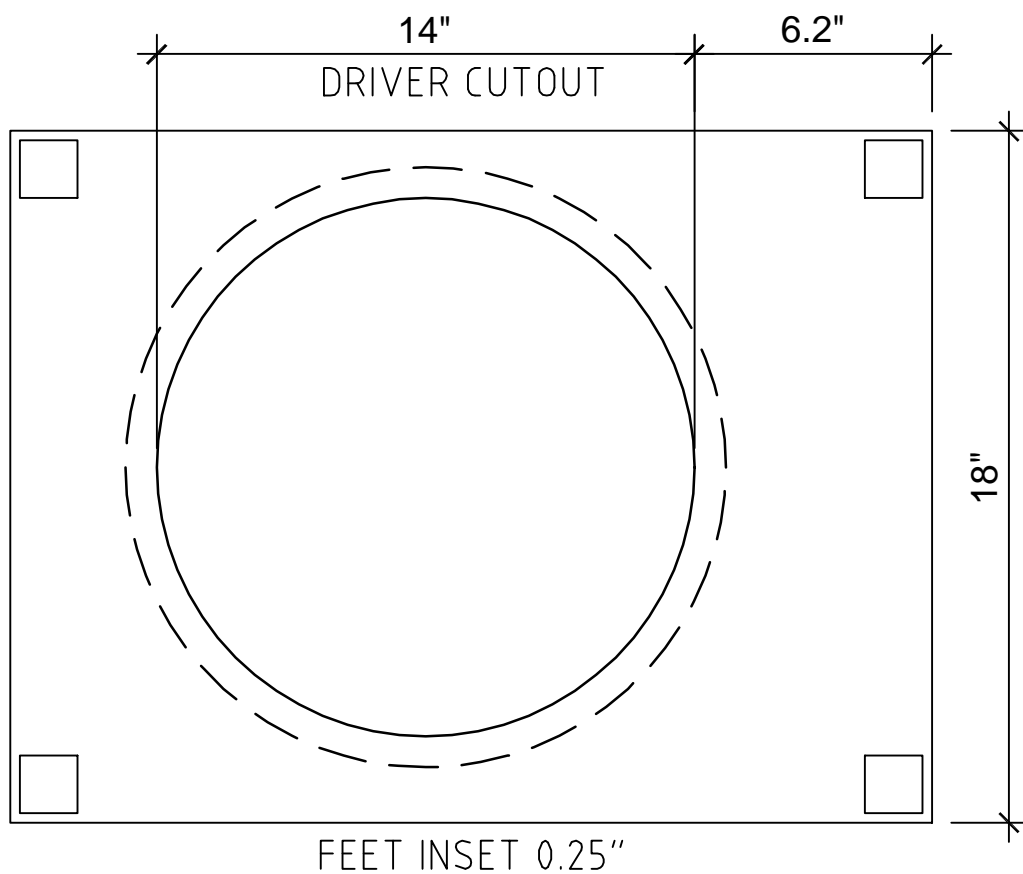
Articulate bass for the discerning audiophile

[www.rythmikaudio.com](http://www.rythmikaudio.com)

SCALE: 1:5

Copyright © 2006 Rythmik Audio. All rights reserved.

Design: 3 Corners [www.3corners.com.au](http://www.3corners.com.au)



**Rythmik Audio**

Articulate bass for the discerning audiophile

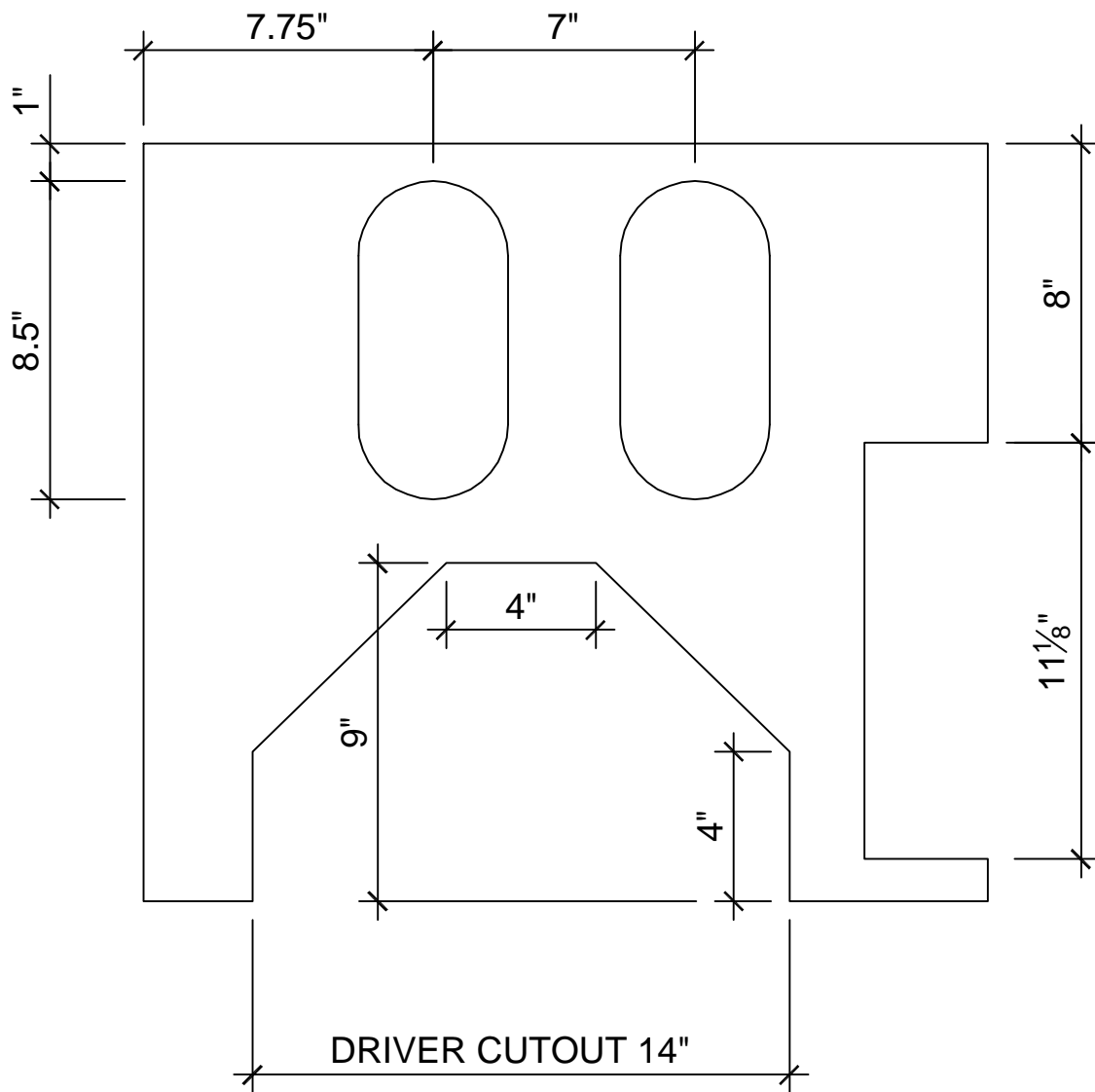
[www.rythmikaudio.com](http://www.rythmikaudio.com)

PLAN - UNDERSIDE

SCALE: 1:5

Copyright © 2006 Rythmik Audio. All rights reserved.

Design: 3 Corners [www.3corners.com.au](http://www.3corners.com.au)



## BRACE 1



**Rythmik Audio**

Articulate bass for the discerning audiophile

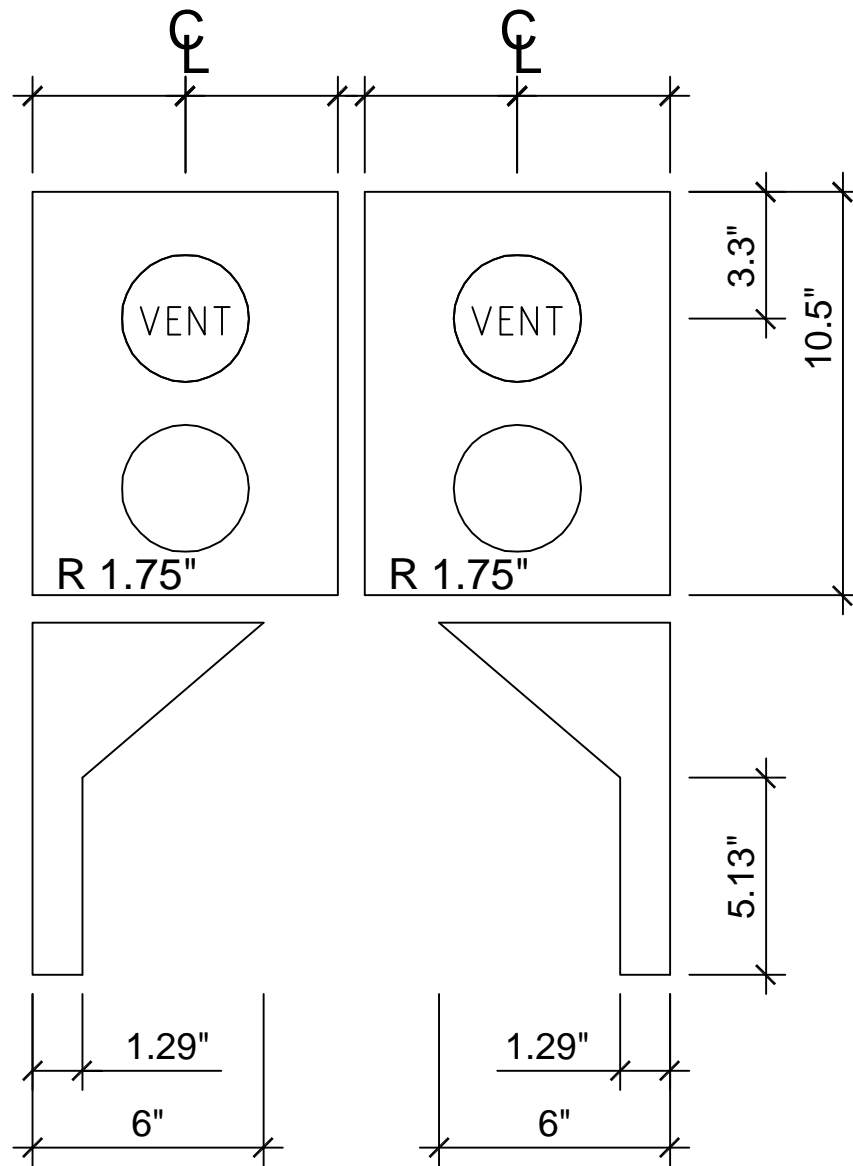
[www.rythmikaudio.com](http://www.rythmikaudio.com)

BRACE 4

SCALE: 1:5

Copyright © 2006 Rythmik Audio. All rights reserved.

Design: 3 Corners [www.3corners.com.au](http://www.3corners.com.au)



## BRACE 2



**Rythmik Audio**

Articulate bass for the discerning audiophile

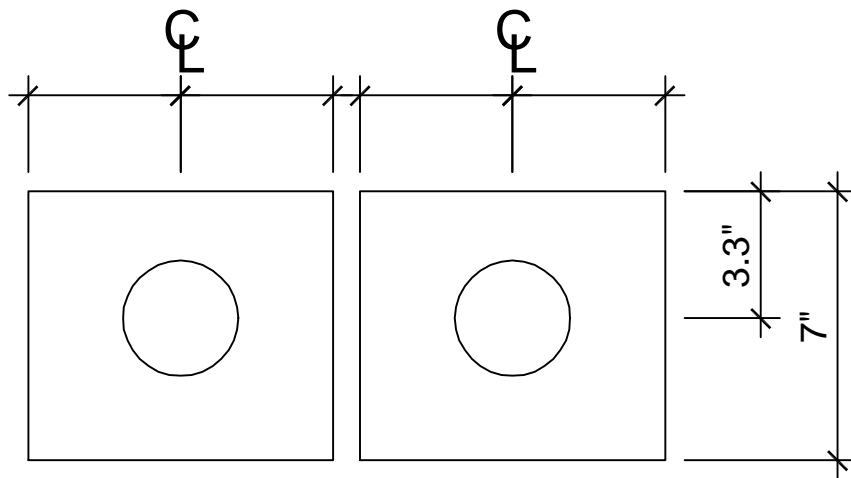
[www.rythmikaudio.com](http://www.rythmikaudio.com)

BRACE 1

SCALE: 1:5

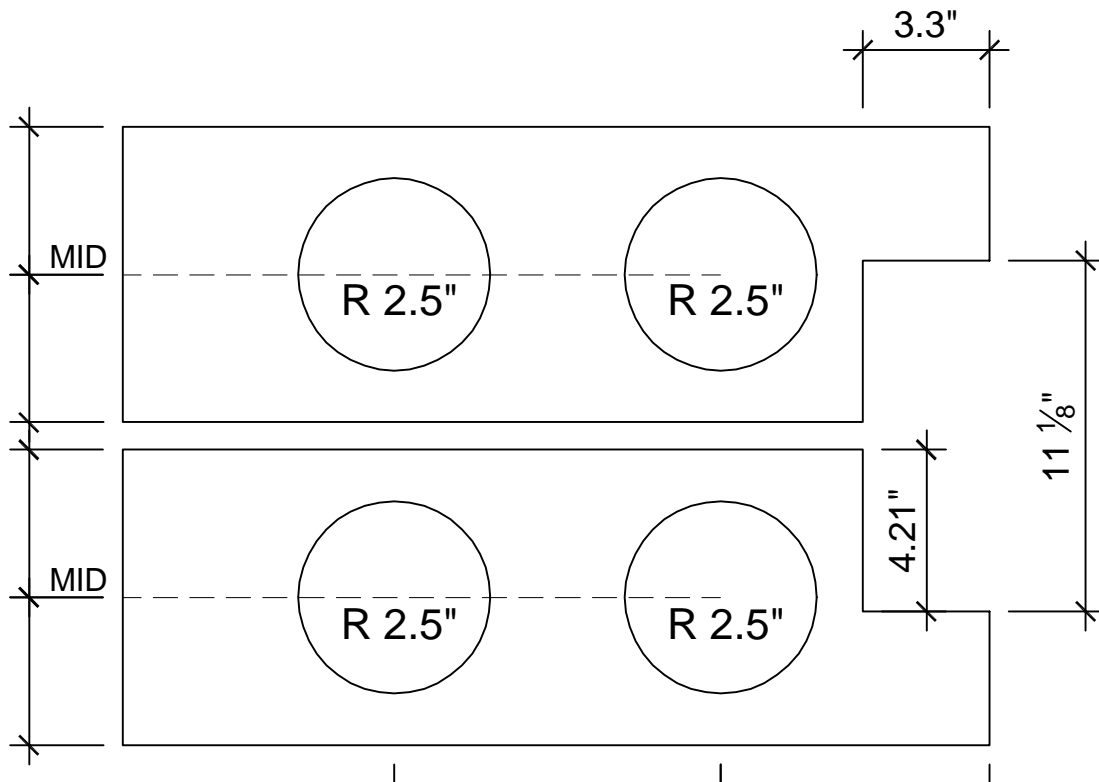
Copyright © 2006 Rythmik Audio. All rights reserved.

Design: 3 Corners [www.3corners.com.au](http://www.3corners.com.au)



DIAM TO FIT VENT

### BRACE 3



### BRACE 4



**Rythmik Audio**

Articulate bass for the discerning audiophile

[www.rythmikaudio.com](http://www.rythmikaudio.com)

BRACE 1 & 2

SCALE: 1:5

Copyright © 2006 Rythmik Audio. All rights reserved.

Design: 3 Corners [www.3corners.com.au](http://www.3corners.com.au)